

Rapid roll-up door with self-repairing full curtain

Smart Reset High performance and self-repairing

Heavy duty automatic flexible door featuring a special and innovative self-repairing system; should the curtain accidentally get dislodged, it will automatically be recovered with a simple opening and closing operation.

Special accessories

Description of Article	Smart Reset	
	BASIC	COMFORT
FABRICATION		
Cabling - easy fitting	●	●
Cabling - gear motor / electronic panel, excluding safety devices	●	●
All cables required are fitted on fabrication, including safety devices	●	●
Column front guards - galvanised steel	●	●
Column front guards - AISI 304 fine satin stainless steel finish	●	●
Casing and roller front guard - galvanised steel	●	●
Casing and roller front guard - fine satin AISI 304 stainless steel	●	●
AISI 304 fine satin stainless steel finish - metal frame, casing and front guard excluded	●	●
Smooth finish oven-baked epoxy coating applied to the entire structure (see colour table)	●	●
Special oven-baked epoxy coating applied to the entire structure, choice of colours (previously agreed)	●	●
MOTOR		
Motor guard - galvanised steel, left or right	●	●
Motor guard - fine satin AISI 304 stainless steel, left or right	●	●
Inverter - different speeds control system: opening speed $0,6 \div 1,1$ - closing speed $0,4 \div 0,8$ m/s	●	●
Inverter - emergency power supply system for Inverter provided by batteries	●	●
Manual operation - device complete with operation crank	●	●
Operating rod at man's height (see table), to be used together with the manual operation	●	●
Motor located on the right	●	●
FLEXIBLE CURTAIN		
See-through PVC window section measuring 980 x H 300	●	●

KEY: ● OPTIONAL ▽ AS STANDARD — NOT AVAILABLE

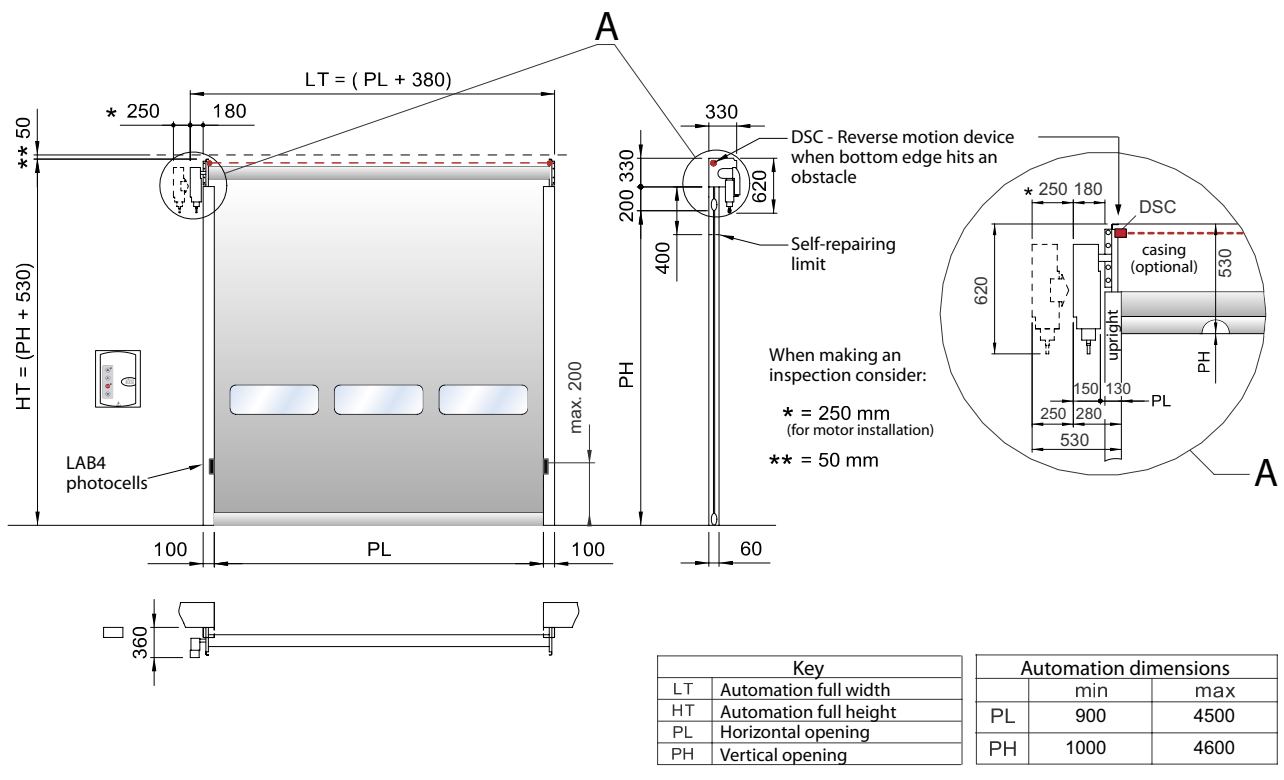
Technical Specifications

Smart Reset can be supplied in different levels of design (Basic and Comfort), to better satisfy the differing operating requirements and to comply with the different local standards. The wide range offered features a whole array of unparalleled technological features.

- ▶ Hot-galvanised steel available in the RAL versions with oven-baked epoxy coating with smooth finish or fine satin-finish AISI 304 stainless steel, complete with galvanised curtain winding pipe and with vertical uprights fitted with special self-lubricating sliding guide installed on a shock-absorbing spring system.
- ▶ Provision for roll-up roller casing
- ▶ DSC electronic safety device to reverse motion when door is closing if an obstacle is hit
- ▶ Heavy duty motor: 3 phase 400 V motor, complete with limit switch and electrically operated hand brake
- ▶ IP55 rated electronic panel, complete with open-close-stop membrane push-button panel with Autotest function, in compliance with European Directives 98/37/CE and 89/106/CE
- ▶ Provision for manual opening device with operation crank
- ▶ INVERTER system on request for different speed, accelerations and braking control
- ▶ Full size flexible curtain entirely made of Class 2 self-extinguishing polyester, with no horizontal strengthening parts, which slides inside the side hinges and features self-repairing properties and high resistance to air and wind pressure to 120 km/h

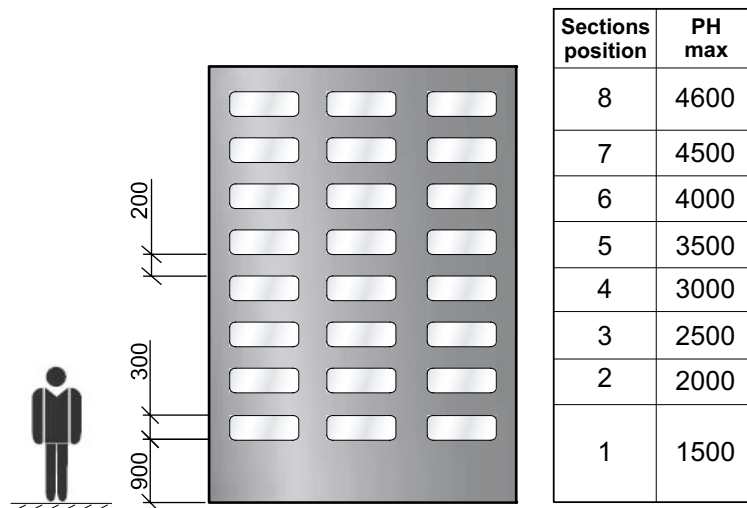


Dimensional specifications



Flexible curtain features (Maximum values)

FULL CURTAIN



See-through PVC window	PL		
	≤ 2560	≤ 3750	≤ 4500
Window sections	1	2	3

Note: with PL < 1380 no window section is available

Curtains - Standard available colours

